

*www.PerihelionDesign.com*

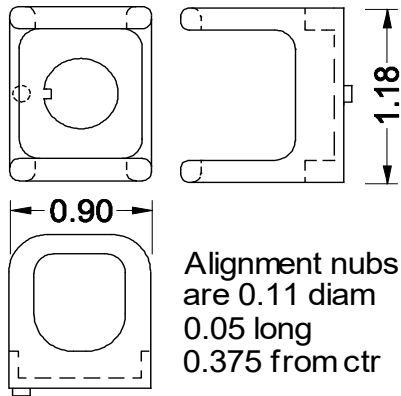
**Boldly Innovative Products for Modern Custom Aircraft**



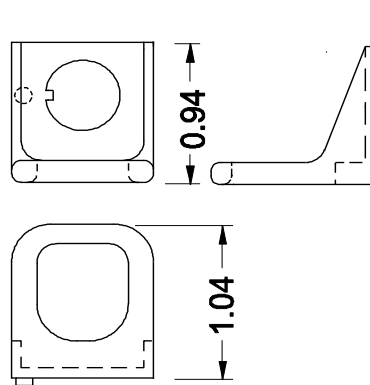
## PDM-005 Series Space Shuttle Orbiter and Orion Switch Guards

For years, Perihelion Design has supplied NASA, their subcontractors and various space entrepreneurs and subcontractors with many varieties of switch guards. Some Perihelion Design Switch guards are scheduled for manned flights to Mars, the Moon and the asteroids. Many of these switch guards are not usually publically advertised, but spacecraft have become more commercial, so there is need for these. Unlike our investment-cast PDM-005 Guards, These are Space Qualified, 6061-T6, Hard Anodized Mil-A-8625 Type iii/1, w/laser engraved P/N. These also have the alignment nubs on the rear face. All fit the standard 15/32 or 12 mm switch bushings with key slots. We can talk about discounts if you really have that many spacecraft that require these. These are usually in stock with "Launch Date Critical" delivery.

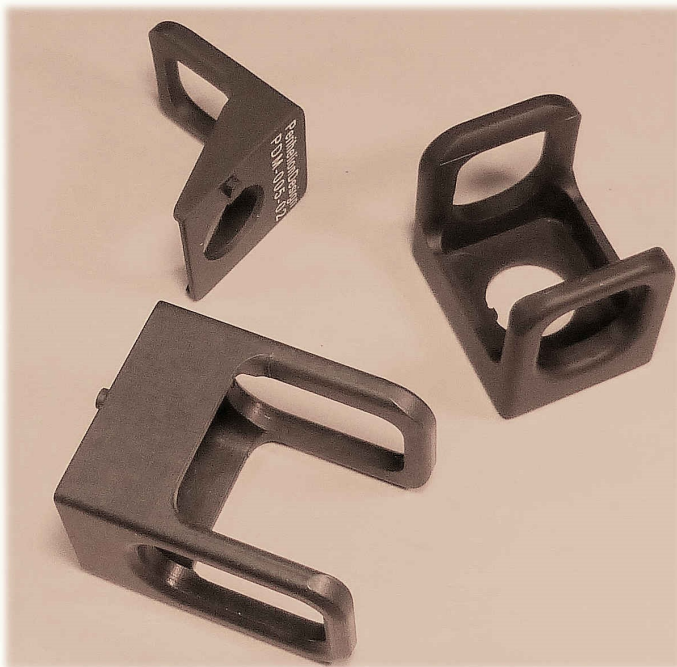
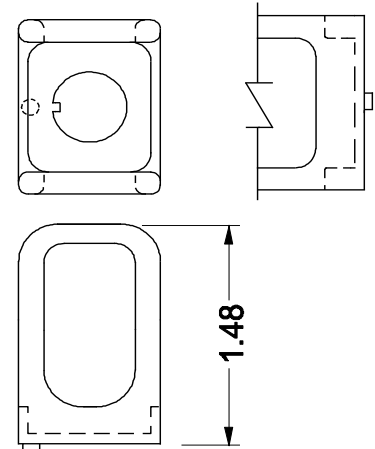
### PDM-005-01 Standard



### PDM-005-02 Half Width



### PDM-005-03 Tall Height



**PDM-005-01 Standard \$50 each**

**PDM-005-02 Half Width \$30 each**

**PDM-005-03 Tall Height \$60 each**

Eric M. Jones, Perihelion Design  
113 Brentwood Drive  
Southbridge, MA 01550-2705  
(508) 764-2072  
Email: [Perihelion@Charter.net](mailto:Perihelion@Charter.net)

DUNS No. 137357138 Cage Code 7CYT6

